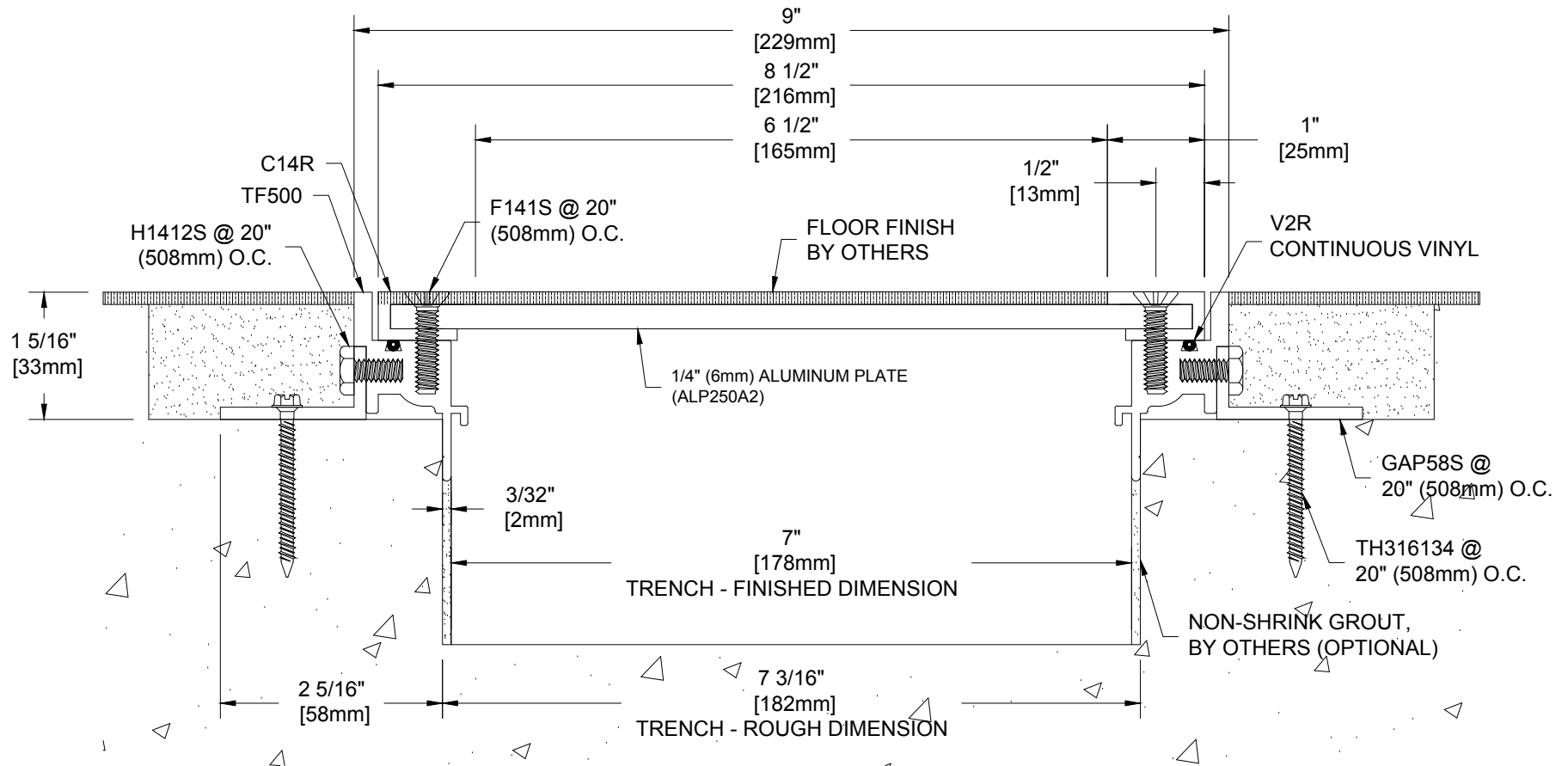


TST-7-250

TRENCH COVER w/1/8"(3mm) TILE RECESS
 MILL FINISH ALUMINUM EXTRUSIONS
 MILL FINISH ALUMINUM PLATE
 w/BLOCK-OUT ANCHORS



| | |
|-----------------|------------|
| Project: | |
| Customer: | |
| SO# | |
| Date: | |
| Page ___ of ___ | Scale: NTS |

| Length | Qty. | Color |
|--------|------|-------|
| | | |
| | | |
| | | |
| | | |

Drawn By: HRS



A CSW Industrials Company

The information contained herein is the proprietary property of BALCO®. No portion of it may be reproduced by any means or used in any form except for the purpose for which it was furnished. All rights of design and invention are hereby reserved.

REV. - 08/03/18