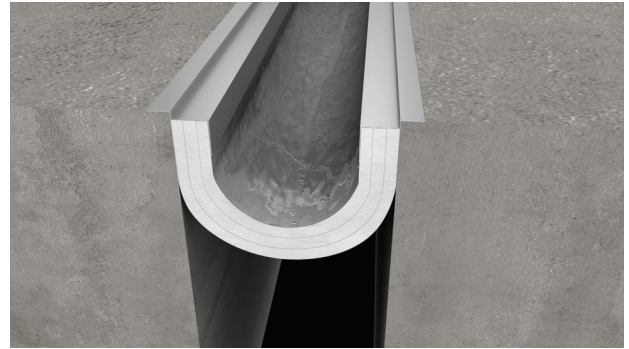




A CSW Industrials Company

INSTALLATION INSTRUCTIONS

MetaFlex® Pro Floor Expansion Joint Fire Barrier



IMPORTANT

The following instructions are very important.

Read them carefully, and be sure you understand them completely before you begin any work.

Store this product in the horizontal position in a clean, dry location. This is a finished product.

Store this product in a protected area. Do not stack anything on top of this product.

Review approved Balco shop drawings for types and locations prior to beginning work.

RECOMMENDED TOOLS

TAPE MEASURE / UTILITY KNIFE / SNIPS OR CUTOFF WHEEL AND GRINDER / SPREADER CLAMPS OR WOOD BLOCKING
DRILL / DRILL BITS FOR METAL AND CONCRETE / IMPACT DRIVER AND BITS / CAULKING GUN

IMPORTANT

MetaFlex® Pro Fire Barrier has sharp edges.

Balco recommends that installers wear work gloves, safety glasses, long sleeve work shirts and long work pants when working with or installing MetaFlex® Pro Fire Barrier.

Prior to installation of 21" - 36" max open MetaFlex® Pro Fire Barrier, reference **STEP THREE** for bracing recommendations.

METAFLEX® PRO FLOOR EXPANSION JOINT FIRE BARRIER

JOINT PREPARATION

CONCRETE:

Edge spalling, sharp projections and concrete voids (bug holes) shall also be repaired prior to proceeding with the joint installation. Consult the Project Structural Engineer for a list of acceptable patching products.

Repair mortars recommended by Balco, Inc. include; Thoroc 1060, Emaco T-415 and Sika 123. Contact Balco, Inc. for recommendations on other compatible repair mortars.

All repair materials used should have reached full cure conditions as specified by the repair material manufacturer before installation of the joint system begins. All obstructions such as form work and refuse shall be removed from the joint opening.

Measure the joint width every 5' to 7' (1.5m - 2.1m) to verify the joint is correctly sized. This should be performed prior to receiving product.

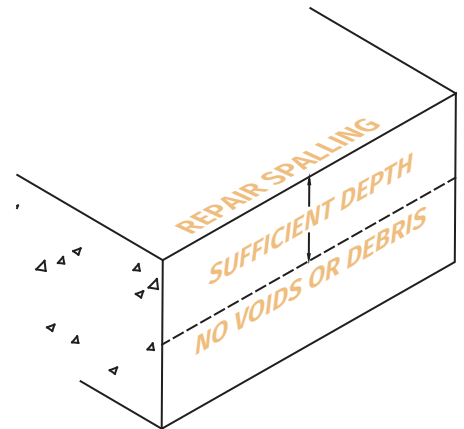
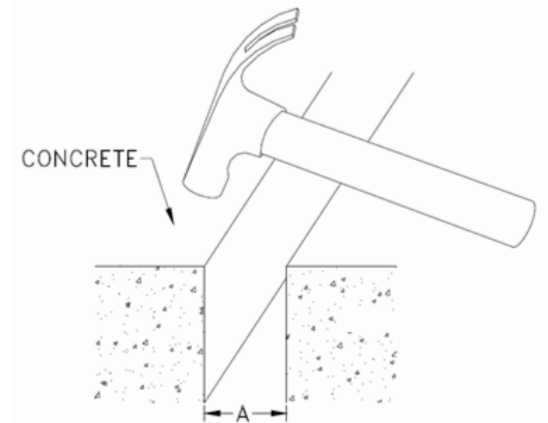
Verify the joint is clean, uniform, and of sufficient depth for the fire barrier.

IMPORTANT:

Concrete adjacent to the expansion joint system must be sound. This should be confirmed by tapping these areas with a hammer.

If a hollow sound is heard or the concrete cracks, crumbles or loosens, the unsound concrete must be removed and repaired with a structural repair mortar.

Confirm repaired areas are sound by the same method described above.



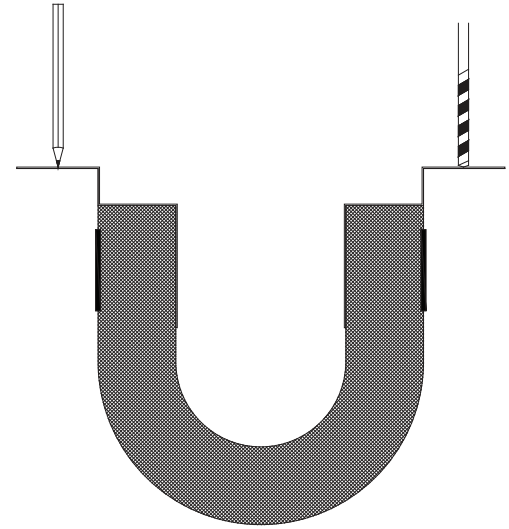
METAFLX® PRO FLOOR EXPANSION JOINT FIRE BARRIER

STEP ONE

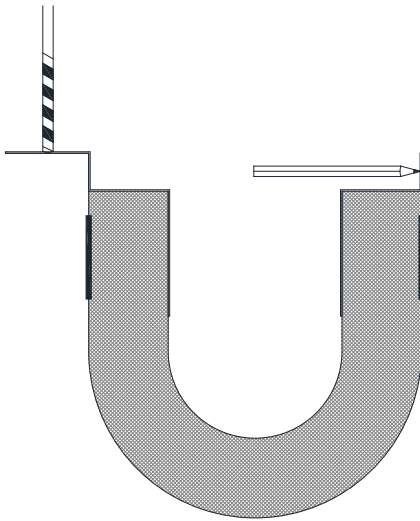
If the flanges have not been drilled at the factory, mark and drill them at this time per Balco approved details or shop drawings.

Take care to match the anchor holes in the fire barrier with any anchorage of accompanying expansion joint cover system to be installed in conjunction with the MetaFlex® Pro fire barrier.

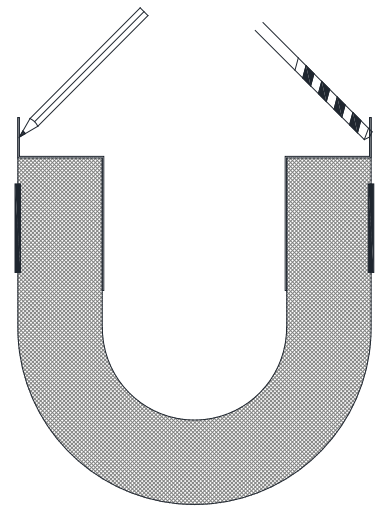
Floor to Floor



Floor to Wall



Inside Mount

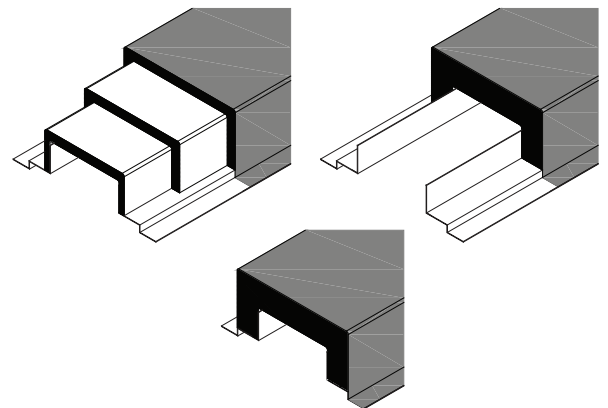


STEP TWO

Select the first section of fire barrier to be installed. Work from one end of the joint line to the other.

Using a utility knife and a sharp blade, carefully cut the ceramic blanket and foil from the 'Male' end of the fire barrier off to create a flat end.

Using a pair of snips or a cutoff wheel in a grinder, trim the flanges to match the flat end of barrier.



METAFLEX® PRO FLOOR EXPANSION JOINT FIRE BARRIER

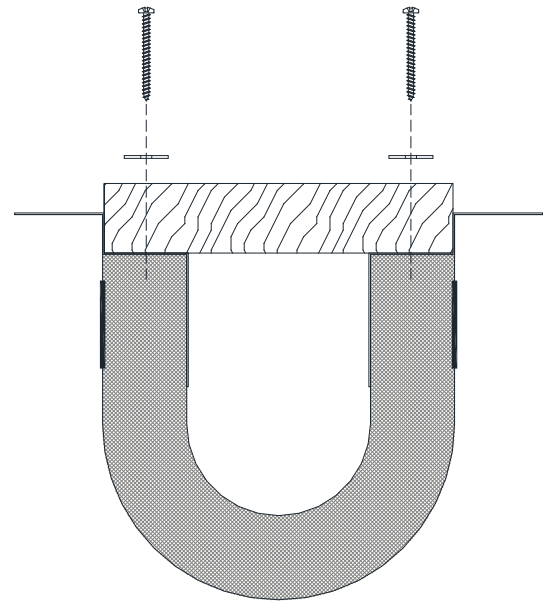
STEP THREE

For 21"-36" max open MetaFlex® Pro Fire Barriers install bracing as shown. Use 2"x4" wood bracing provided by others.

Cut 2"x4" wood braces to length equal to the joint width.

Anchor wood braces using fender washers and long sheet metal screws.

Use a minimum of 3 braces per section.



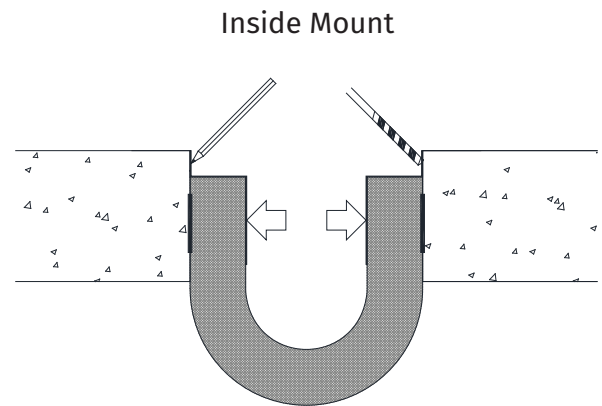
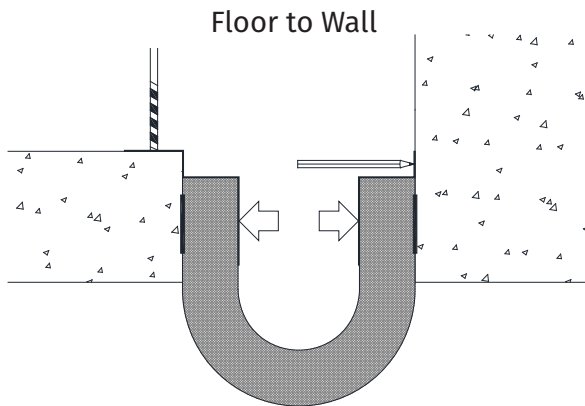
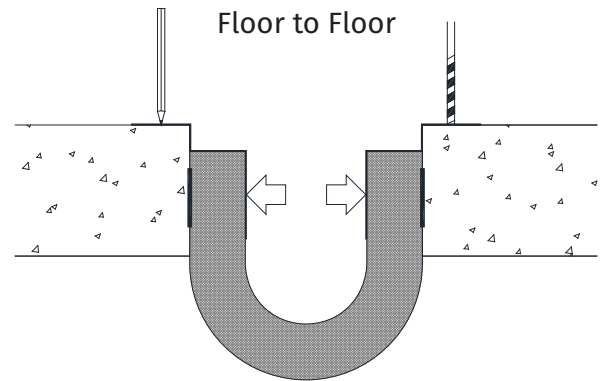
STEP FOUR

Place the fire barrier in its installed position within the joint opening.

Use spreader clamps or blocking to pin the barrier firmly against the inner face of the joint opening.

Using the galvanized flanges as a template, drill the anchor holes at the marked locations.

Remove all dust and debris from the anchor holes and blockouts.



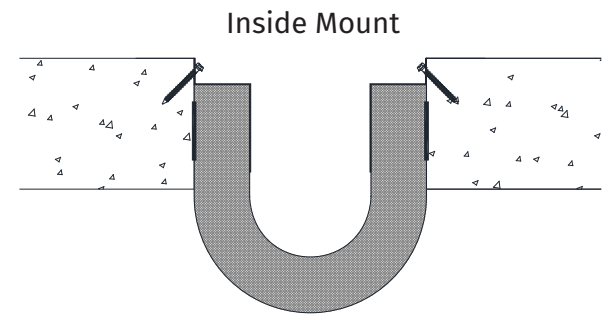
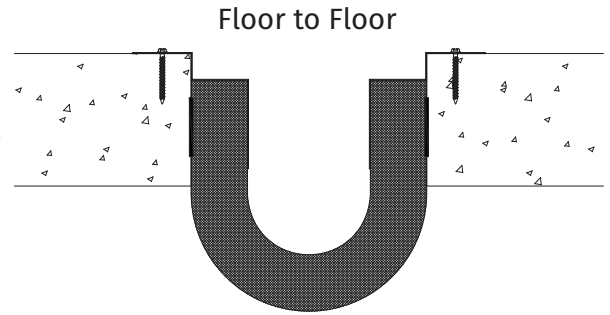
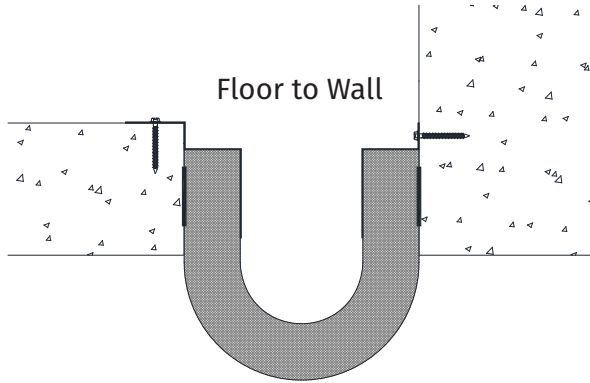
METAFLX® PRO FLOOR EXPANSION JOINT FIRE BARRIER

STEP FIVE

Fasten the fire barrier and any expansion joint cover components using the supplied anchors.

Remove the spreader clamps or blocking once all anchors are in place.

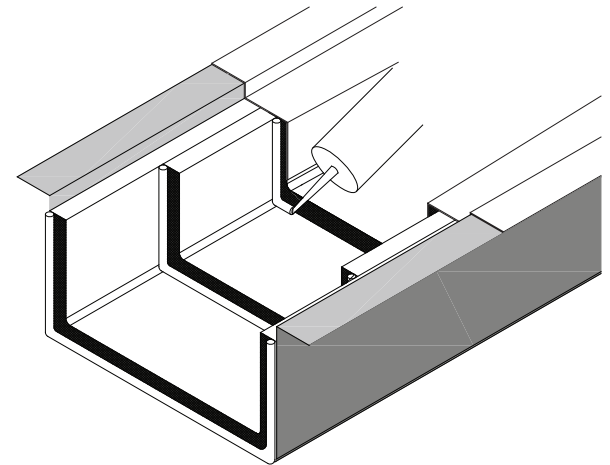
Remove anchored wood braces and fill holes with factory supplied sealant.



STEP SIX

Move to the 'Female' end of the installed section of fire barrier.

Select the factory provided sealant and apply a 3/8" (10mm) bead at the interface of each blanket layer.



STEP SEVEN

Select the next section of fire barrier to be installed.

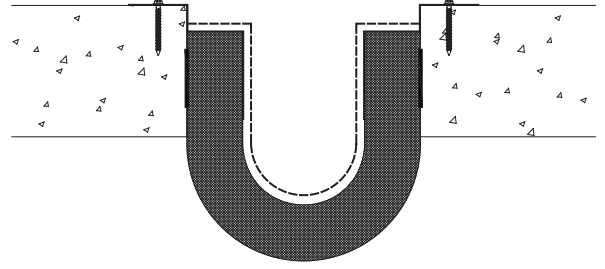
Place the fire barrier in its installed location within the joint opening, tightly butting the male end of the barrier with the female end of the installed barrier.

Repeat **STEPS THREE THROUGH SEVEN** to fasten the barrier in place.

METAFLEX® PRO FLOOR EXPANSION JOINT FIRE BARRIER

STEP EIGHT

Measure the exposed length of fire barrier at the splice line as shown and record.



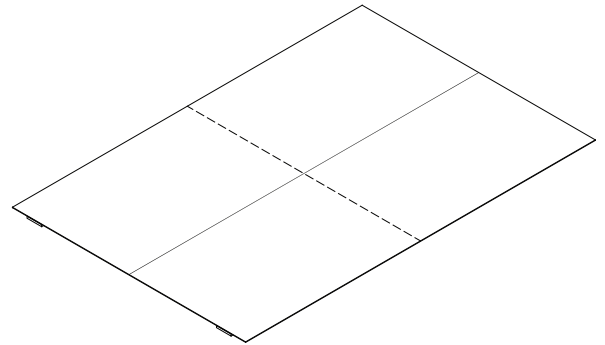
STEP NINE

Select the rolled splice patch material and unroll a length equal to the measurement taken in **STEP EIGHT**.

Use a pair of snips to cut the splice patch material to length.

On the bare side of the splice patch, a center line across the length of the material.

Fold the splice patch in half along the width of the material and return to flat, creating a crease in the middle of the splice patch.

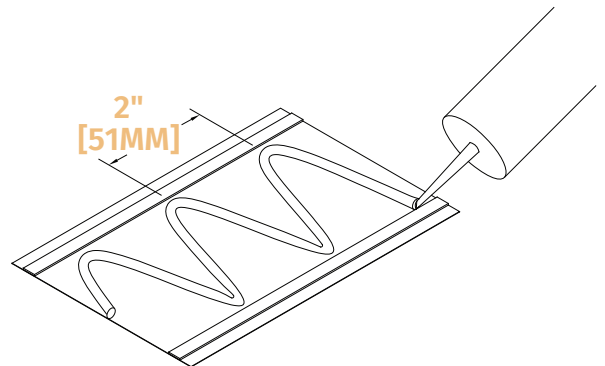


STEP TEN

Select the factory provided sealant and the splice patch.

Apply a 3/8" bead of sealant to the underside of the splice patch.

Apply the sealant in a zig-zag pattern at a nominal 2" (51mm) from crest to crest, along the full length and width of the splice patch.



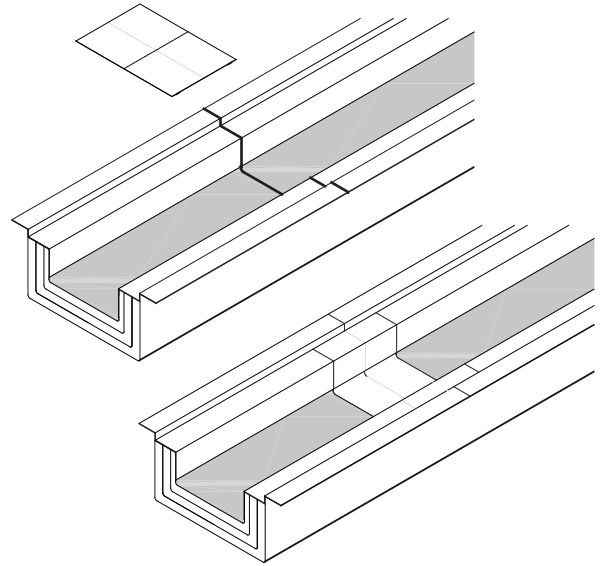
METAFLEX® PRO FLOOR EXPANSION JOINT FIRE BARRIER

STEP ELEVEN

Peel the backing off of the adhesive tape of the splice patch.

Carefully center the splice patch on the splice line and place it onto the fire barrier, centering it in both directions with the fire barrier and the line of the splice.

Smooth the splice patch down onto the barrier, applying firm pressure to the adhesive tape and spreading the sealant.



STEP TWELVE

Repeat **STEPS FOUR THROUGH ELEVEN** until all fire barrier sections are installed.

When installing MetaFlex® Pro fire barrier in multiple, non-adjacent joint lines, always start the next 'run' of fire barrier with the off-cut from the previous 'run' of fire barrier.

Complete fire barrier transitions per factory-provided details.

Complete the installation of the joint cover system in accordance with the installation instructions appropriate for the system.