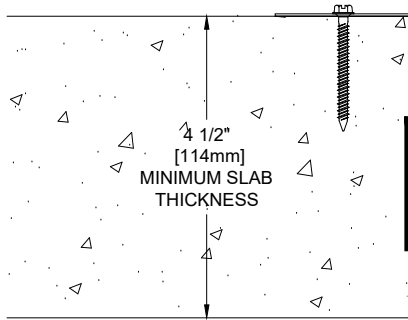


MPFV2H30

FLOOR FIRE BARRIER
 2 HOUR RATED
 MAXIMUM OPENING 30" (762mm)
 INTERTEK LISTING # BA/EC 120-01

COVER IS REQUIRED TO MAINTAIN
 2 HOUR RATING (BY OTHERS)
 SEE NOTE



TH316134 @ 10"
 (254mm) O.C.
 MPFV2H30

1'-8"
 [508mm]

NOTE:
 THE FIRE RATING FOR THIS AND SIMILAR
 CONDITIONS IS DETERMINED NOT ONLY
 BY THE METAFLEX® FIRE BARRIER BUT
 ALSO THE PERFORMANCE CAPABILITIES
 OF THE SURROUNDING CONSTRUCTION.

COVER PLATE OPTIONS:
 1/8" STAINLESS STEEL
 1/8" GALVANIZED STEEL
 3/16" ALUMINUM ALLOY
 2 mil STAINLESS STEEL FOIL (CHASE
 CONDITION)

Project:	
Customer:	
SO#	
Date:	
Page ___ of ___	Scale: NTS

Length	Qty.	Color

Drawn By: DEB



A CSW Industrials Company

The information contained herein is the proprietary property
 of BALCO®. No portion of it may be reproduced by any means or
 used in any form except for the purpose for which it was furnished.
 All rights of design and invention are hereby reserved.

REV. - 07/14/20