

**MPFV2H30**

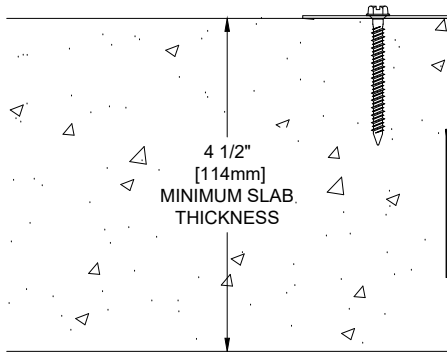
FLOOR FIRE BARRIER

2 HOUR RATED

MAXIMUM OPENING 30" (762mm)

INTERTEK LISTING # BA/EC 120-01

COVER IS REQUIRED TO MAINTAIN  
2 HOUR RATING (BY OTHERS)  
SEE NOTE



**NOTE:**  
THE FIRE RATING FOR THIS AND SIMILAR  
CONDITIONS IS DETERMINED NOT ONLY  
BY THE METAFLEX® FIRE BARRIER BUT  
ALSO THE PERFORMANCE CAPABILITIES  
OF THE SURROUNDING CONSTRUCTION.

COVER PLATE OPTIONS:

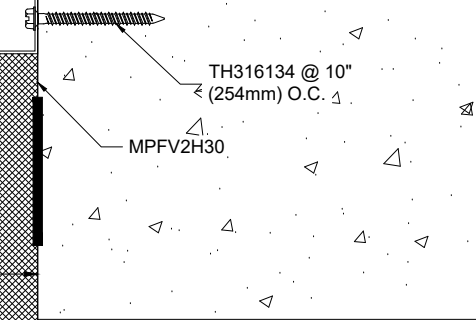
1/8" STAINLESS STEEL

1/8" GALVANIZED STEEL

3/16" ALUMINUM ALLOY

2 mil STAINLESS STEEL FOIL (CHASE  
CONDITION)

1'-2"  
[356mm]



Project:	
Customer:	
SO#	
Date:	
Page ___ of ___	Scale: NTS

Length	Qty	Color

Drawn By: DEB



A CSW Industrials Company

The information contained herein is the proprietary property  
of **BALCO**®. No portion of it may be reproduced by any means or  
used in any form except for the purpose for which it was furnished.  
All rights of design and invention are hereby reserved.

REV. - 07/14/20