

# 2H75FP-1 x 3/4

INTERIOR FLOOR TO FLOOR SYSTEM

MILL FINISH ALUMINUM FINISH BASE

w/2 HOUR FIRE BARRIER; METABLOCK® ; MBF2H0125

U.L. # FF-S-0035

APPROXIMATELY 25% MOVEMENT

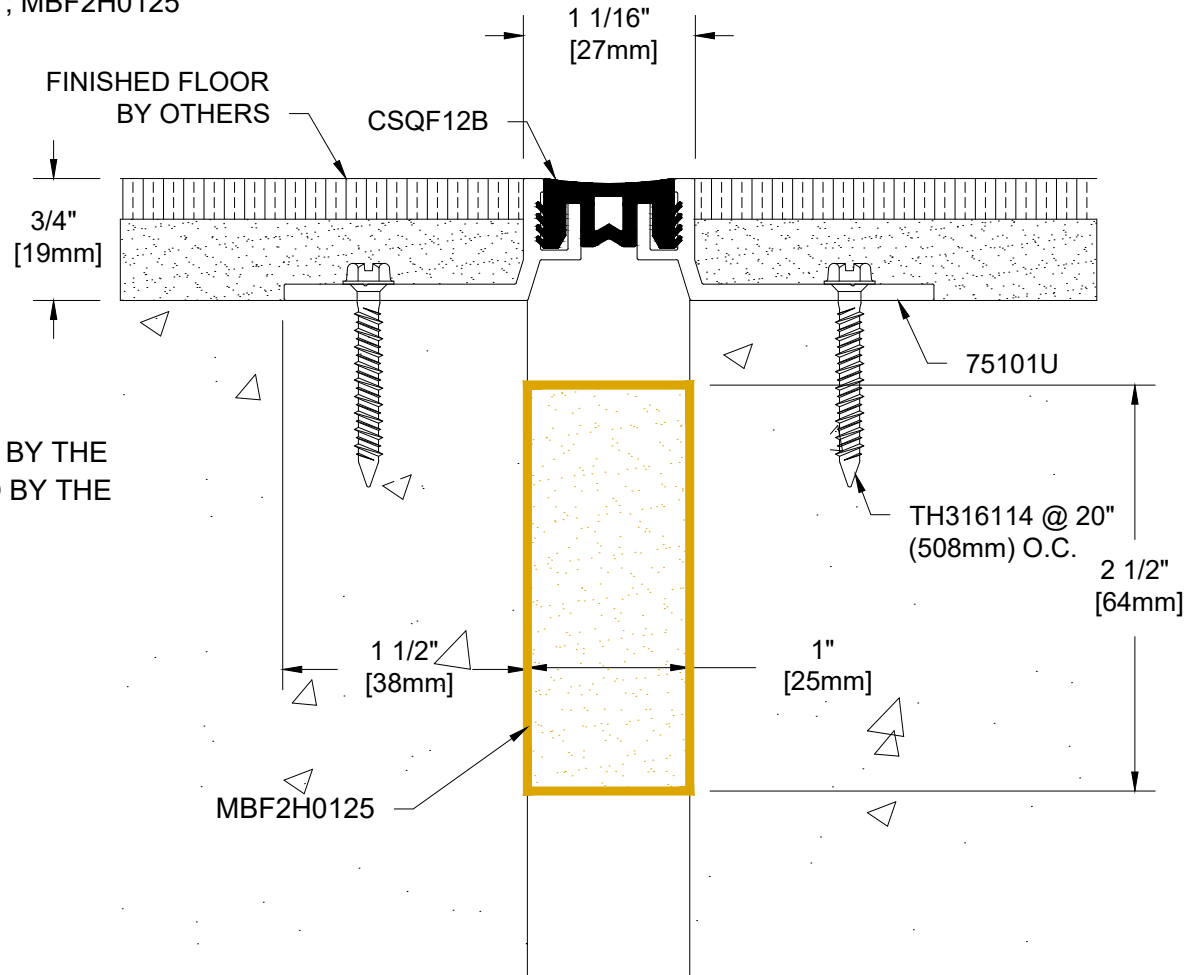
COLOR: \_\_\_\_\_

FILLER COLORS AVAILABLE:  
BLACK, GRAY, TAN, OR BRONZE  
PLEASE SPECIFY

NOTE: ONLY BLACK IS UV RESISTANT  
(FOR EXTERIOR USE)

**NOTES:**

FIRE RATING IS DETERMINED NOT ONLY BY THE METABLOCK® FIRE BARRIER, BUT ALSO BY THE PERFORMANCE CAPABILITIES OF THE SURROUNDING CONSTRUCTION



Project:	
Customer:	
SO#	
Date:	
Page ___ of ___	Scale: NTS

Length	Qty.	Color

Drawn By: RJT

The information contained herein is the proprietary property of **BALCO, INC.** No portion of it may be reproduced by any means or used in any form except for the purpose for which it was furnished. All rights of design and invention are hereby reserved.



410 E 37th St N, Suite A  
Wichita, Kansas 67219 USA  
P: +1-316-945-9328 F: +1-316-945-0789