



IllumiTread[™]
Handrail
End Cap

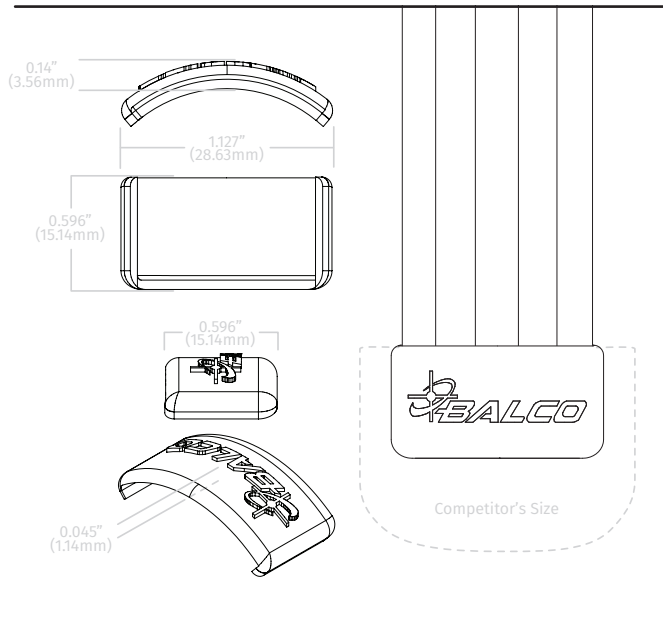
The IllumiTread[™] End Cap provides a sleek, smooth and subtle finish to the ends of Aluminum PL (photoluminescent) Handrail Strips (4010C)

- Made from light, durable plastic
- Colored to provide an aesthetic complement to photoluminescence
- Thin margins of transition between profiles of handrail strips & end cap
- Easily installed with same adhesive as handrail strips

IllumiTread™ Handrail End Cap



The Aluminum PL (photoluminescent) Handrail Strip (4010C) now comes standard with the most-fitting finish, the IllumiTread™ Handrail End Cap. This highly-requested feature provides a transition between PL strip and handrail that is clean in appearance, sleek in design and smooth to the touch. Plus, it is easy to install! The IllumiTread™ Handrail End Cap is the perfect complement to the PL Handrail Strip and is a welcome addition to the Balco IllumiTread™ product line.



APPLICATION

- Standard finish for the ends of IllumiTread™ Aluminum Handrail Strips (4010C)

FEATURES

- Injection-molded ABS plastic is light and durable
- White complementary to photoluminescent green
- Extremely slim profile
- Easy glue installation
- Comes standard with 4010C at no additional cost

Our IllumiTread™ products are designed to provide an intuitive glow-in-the-dark path for emergency exit within stairwells. Charged by a variety of light sources, our products emit the charge as a glow when the lights go out in the event of an emergency. We provide quality, IBC code-compliant markings perfect for the entire stairwell. Visit balcousa.com to learn more.



CERTIFIED ISO 9001
Quality Management System

